

A close-up, high-angle photograph of several parallel metal slats with circular perforations. The slats are arranged in a stack, and the lighting creates strong highlights and shadows, emphasizing their metallic texture and the precision of the manufacturing. The background is dark and out of focus.

**Oline**<sup>®</sup>  
Par  **impekk**

SELECTION OF SLIDES

Impekk offers a wide selection of slides. Our expertise has been established in this field for a long time, so you will not be disappointed with the quality of our products! We will guide you to find the perfect slides for your kitchen, bathroom, garage, entertainment furniture and more!

**A world of solutions,  
service included!**





**European Slides**

**p. 4 - 6**



**Ball Bearing Slides**

**p. 7 - 21**



**Undermount Slides**

**p. 22 - 27**



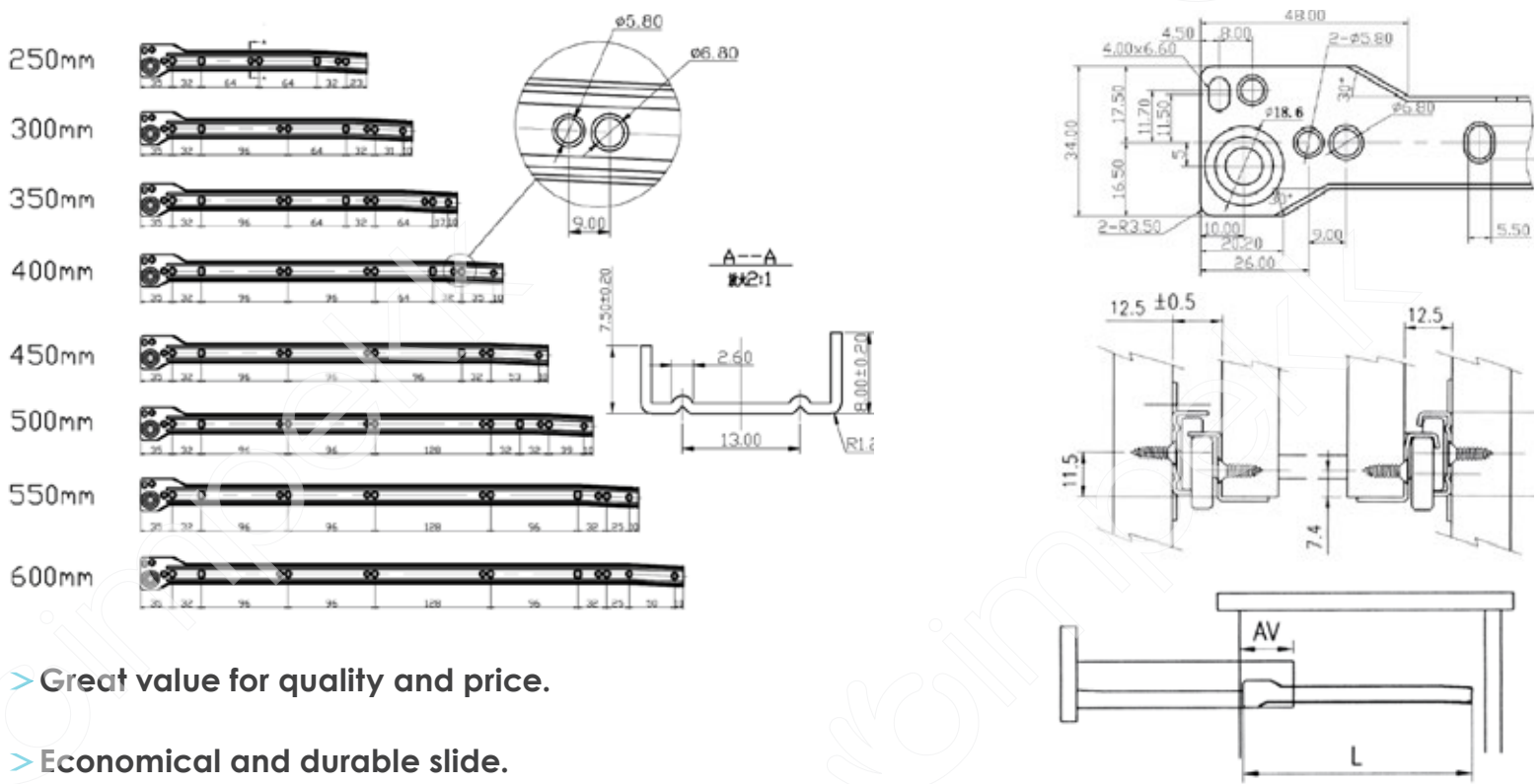
**Metallic Drawer Slides**

**p. 28 - 31**

# European Slides

p. 4- 6





- > Great value for quality and price.
- > Economical and durable slide.

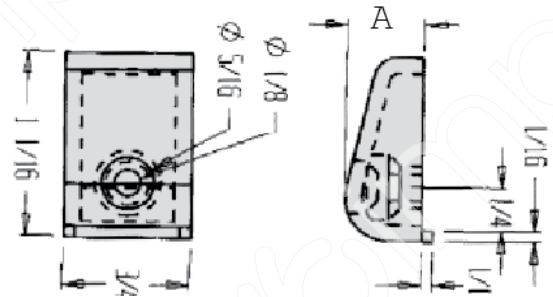
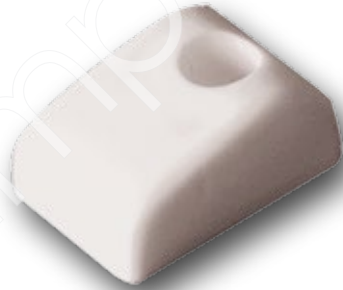
**Suggested Applications:**

- > Kitchen
- > Bathroom
- > Furniture

Model	Case	Finish	Total Length mm (in)	AV mm (in)
6647N-250	100	Black	250 (9 27/32)	85 (3 11/32)
6647S-250	100	White	250 (9 27/32)	85 (3 11/32)
6647N-300	100	Black	300 (11 3/16)	85 (3 11/32)
6647S-300	100	White	300 (11 3/16)	85 (3 11/32)
6648N-350	100	Black	350 (13 25/32)	85 (3 11/32)
6648S-350	100	White	350 (13 25/32)	85 (3 11/32)
6648N-400	100	Black	400 (15 3/4)	85 (3 11/32)
6648S-400	100	White	400 (15 3/4)	85 (3 11/32)
6647S-450	100	White	450 (17 23/32)	95 (3 3/4)
6647S-500	100	White	500 (19 11/16)	102 (4 1/32)
6647N-550	100	Black	550 (21 21/32)	109 (4 9/32)
6647S-550	100	White	550 (21 21/32)	109 (4 9/32)

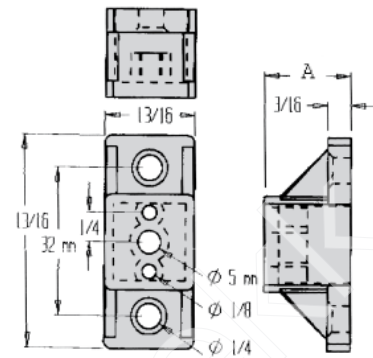
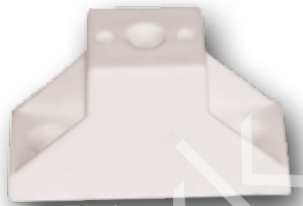
Other sizes and colours are available on special order.  
For taped sets, insert "TP" in front of the code.

**119P-BL**



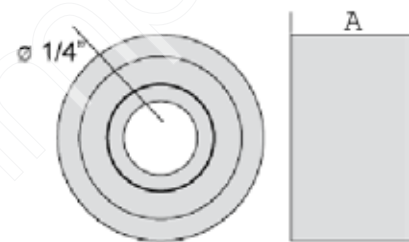
Protection corner for sliding shelves.

**120X-1 & 120X-2**



Distance spacer for 19mm drawer slides.

**121B-16**



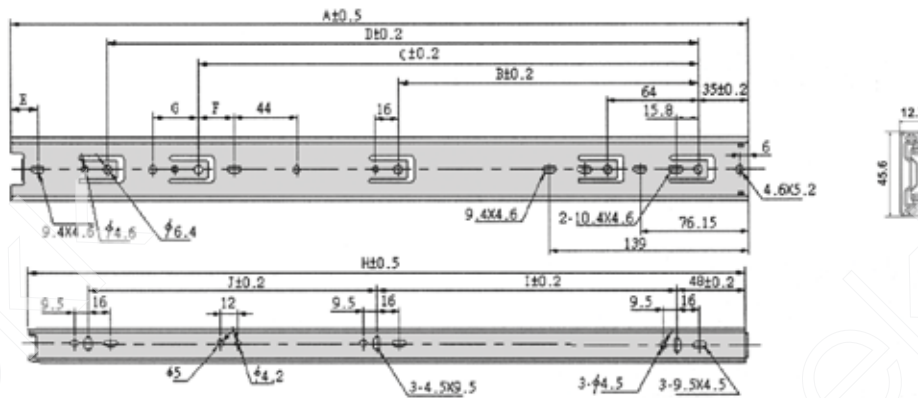
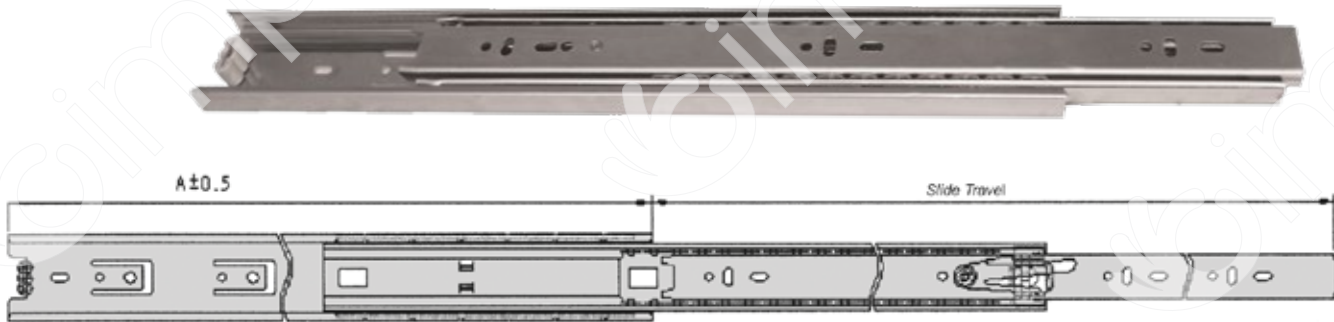
Distance spacer for 16mm drawer slides.

Model	Case	Colour	A mm (in)
119P-BL	100	White	11,1 ( <sup>7</sup> / <sub>16</sub> )
120B-1	100	White	25,4 (1)
120B-2	100	White	50,8 (2)
120N-1	100	Black	25,4 (1)
120N-2	100	Black	50,8 (2)
121B-16	100	White	16 ( <sup>5</sup> / <sub>8</sub> )

# Ball Bearing Slides

p. 7- 21





> Very quiet.

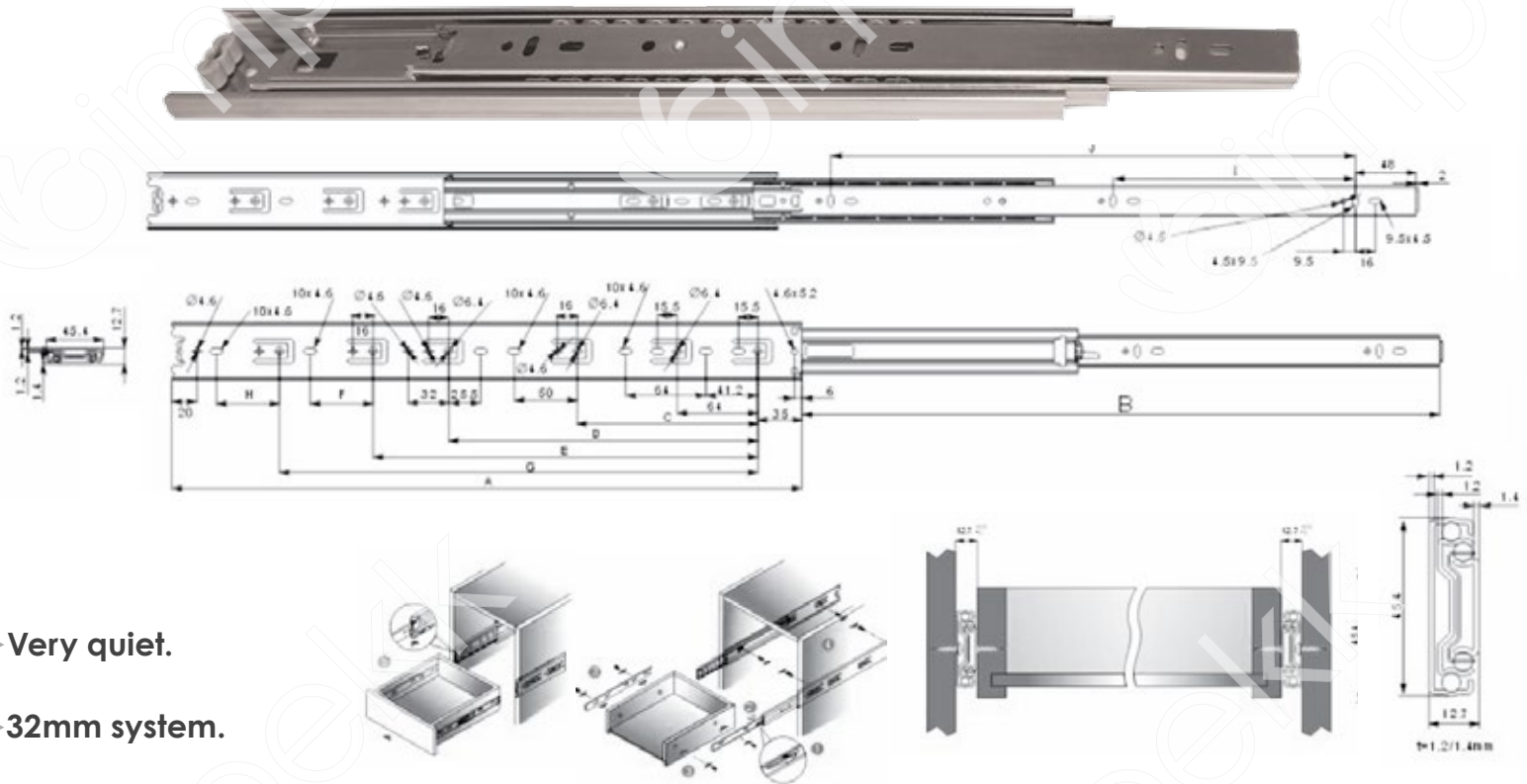
> 32mm system.

> Mounting / dismounting of drawer is very simple.

Model	Case	Finish	Total Length (A) mm (in)	Overtravel mm (in)	B mm (in)	C mm (in)	D mm (in)	E mm (in)	F mm (in)	G mm (in)	H mm (in)	I mm (in)	J mm (in)
601Z-150	10	Zinc	150 ( 5 <sup>29/32</sup> )	25 ( 31/32)	115 ( 4 <sup>17/32</sup> )	-	-	-	-	-	145 ( 5 <sup>3/32</sup> )	-	-
601N-200	10	Black	200 ( 7 <sup>7/8</sup> )	25 ( 31/32)	148 ( 5 <sup>13/16</sup> )	-	-	-	-	-	195 ( 7 <sup>11/16</sup> )	-	-
601Z-200	10	Zinc	200 ( 7 <sup>7/8</sup> )	25 ( 31/32)	148 ( 5 <sup>13/16</sup> )	-	-	-	-	-	195 ( 7 <sup>11/16</sup> )	-	-
601N-250	10	Black	250 ( 9 <sup>27/32</sup> )	25 ( 31/32)	148 ( 5 <sup>13/16</sup> )	-	-	-	-	-	245 ( 9 <sup>21/32</sup> )	76 ( 3)	-
601Z-250	10	Zinc	250 ( 9 <sup>27/32</sup> )	25 ( 31/32)	148 ( 5 <sup>13/16</sup> )	-	-	-	-	-	245 ( 9 <sup>21/32</sup> )	76 ( 3)	-
601N-300	10	Black	300 ( 11 <sup>3/16</sup> )	25 ( 31/32)	224 ( 8 <sup>13/16</sup> )	-	-	-	-	-	295 ( 11 <sup>5/8</sup> )	96 ( 3 <sup>25/32</sup> )	128 ( 5 <sup>1/32</sup> )
601Z-300	10	Zinc	300 ( 11 <sup>3/16</sup> )	25 ( 31/32)	224 ( 8 <sup>13/16</sup> )	-	-	-	-	-	295 ( 11 <sup>5/8</sup> )	96 ( 3 <sup>25/32</sup> )	128 ( 5 <sup>1/32</sup> )
601N-350	10	Black	350 ( 13 <sup>25/32</sup> )	25 ( 31/32)	224 ( 8 <sup>13/16</sup> )	-	-	46,6 ( 1 <sup>27/32</sup> )	-	-	345 ( 13 <sup>19/32</sup> )	128 ( 5 <sup>1/32</sup> )	128 ( 5 <sup>1/32</sup> )
601Z-350	10	Zinc	350 ( 13 <sup>25/32</sup> )	25 ( 31/32)	224 ( 8 <sup>13/16</sup> )	-	-	46,6 ( 1 <sup>27/32</sup> )	-	-	345 ( 13 <sup>19/32</sup> )	128 ( 5 <sup>1/32</sup> )	128 ( 5 <sup>1/32</sup> )
601N-400	10	Black	400 ( 15 <sup>3/4</sup> )	25 ( 31/32)	224 ( 8 <sup>13/16</sup> )	288 ( 11 <sup>11/32</sup> )	-	33,4 ( 1 <sup>5/16</sup> )	-	-	395 ( 15 <sup>9/16</sup> )	160 ( 6 <sup>5/16</sup> )	192 ( 7 <sup>9/16</sup> )
601Z-400	10	Zinc	400 ( 15 <sup>3/4</sup> )	25 ( 31/32)	224 ( 8 <sup>13/16</sup> )	288 ( 11 <sup>11/32</sup> )	-	33,4 ( 1 <sup>5/16</sup> )	-	-	395 ( 15 <sup>9/16</sup> )	160 ( 6 <sup>5/16</sup> )	192 ( 7 <sup>9/16</sup> )
601N-450	10	Black	450 ( 17 <sup>23/32</sup> )	16 ( 5/8)	224 ( 8 <sup>13/16</sup> )	352 ( 13 <sup>27/32</sup> )	-	-	25,45 ( 1)	32,15 ( 1 <sup>9/32</sup> )	445 ( 17 <sup>17/32</sup> )	160 ( 6 <sup>5/16</sup> )	192 ( 7 <sup>9/16</sup> )
601Z-450	10	Zinc	450 ( 17 <sup>23/32</sup> )	16 ( 5/8)	224 ( 8 <sup>13/16</sup> )	352 ( 13 <sup>27/32</sup> )	-	-	25,45 ( 1)	32,15 ( 1 <sup>9/32</sup> )	445 ( 17 <sup>17/32</sup> )	160 ( 6 <sup>5/16</sup> )	192 ( 7 <sup>9/16</sup> )
601N-500	10	Black	500 ( 19 <sup>11/16</sup> )	16 ( 5/8)	224 ( 8 <sup>13/16</sup> )	352 ( 13 <sup>27/32</sup> )	416 ( 16 <sup>3/8</sup> )	-	25,45 ( 1)	32,15 ( 1 <sup>9/32</sup> )	495 ( 19 <sup>1/2</sup> )	192 ( 7 <sup>9/16</sup> )	224 ( 8 <sup>13/16</sup> )
601Z-500	10	Zinc	500 ( 19 <sup>11/16</sup> )	16 ( 5/8)	224 ( 8 <sup>13/16</sup> )	352 ( 13 <sup>27/32</sup> )	416 ( 16 <sup>3/8</sup> )	-	25,45 ( 1)	32,15 ( 1 <sup>9/32</sup> )	495 ( 19 <sup>1/2</sup> )	192 ( 7 <sup>9/16</sup> )	224 ( 8 <sup>13/16</sup> )
601N-550	10	Black	550 ( 21 <sup>21/32</sup> )	16 ( 5/8)	224 ( 8 <sup>13/16</sup> )	352 ( 13 <sup>27/32</sup> )	417 ( 16 <sup>3/8</sup> )	57,8 ( 2 <sup>9/32</sup> )	25,45 ( 1)	32,15 ( 1 <sup>9/32</sup> )	545 ( 21 <sup>15/32</sup> )	224 ( 8 <sup>13/16</sup> )	224 ( 8 <sup>13/16</sup> )
601Z-550	10	Zinc	550 ( 21 <sup>21/32</sup> )	16 ( 5/8)	224 ( 8 <sup>13/16</sup> )	352 ( 13 <sup>27/32</sup> )	418 ( 16 <sup>3/8</sup> )	57,8 ( 2 <sup>9/32</sup> )	25,45 ( 1)	32,15 ( 1 <sup>9/32</sup> )	545 ( 21 <sup>15/32</sup> )	224 ( 8 <sup>13/16</sup> )	224 ( 8 <sup>13/16</sup> )
601N-600	10	Black	600 ( 23 <sup>5/8</sup> )	16 ( 5/8)	224 ( 8 <sup>13/16</sup> )	352 ( 13 <sup>27/32</sup> )	480 ( 18 <sup>29/32</sup> )	44,8 ( 1 <sup>3/4</sup> )	25,45 ( 1)	32,15 ( 1 <sup>9/32</sup> )	595 ( 23 <sup>7/16</sup> )	256 ( 10 <sup>1/16</sup> )	256 ( 10 <sup>1/16</sup> )
601Z-600	10	Zinc	600 ( 23 <sup>5/8</sup> )	16 ( 5/8)	224 ( 8 <sup>13/16</sup> )	352 ( 13 <sup>27/32</sup> )	480 ( 18 <sup>29/32</sup> )	44,8 ( 1 <sup>3/4</sup> )	25,45 ( 1)	32,15 ( 1 <sup>9/32</sup> )	595 ( 23 <sup>7/16</sup> )	256 ( 10 <sup>1/16</sup> )	256 ( 10 <sup>1/16</sup> )
601Z-650	10	Zinc	650 ( 25 <sup>19/32</sup> )	16 ( 5/8)	224 ( 8 <sup>13/16</sup> )	352 ( 13 <sup>27/32</sup> )	480 ( 18 <sup>29/32</sup> )	31,8 ( 1 <sup>1/4</sup> )	25,45 ( 1)	32,15 ( 1 <sup>9/32</sup> )	645 ( 25 <sup>13/32</sup> )	288 ( 11 <sup>11/32</sup> )	288 ( 11 <sup>11/32</sup> )
601N-650	10	Black	650 ( 25 <sup>19/32</sup> )	16 ( 5/8)	224 ( 8 <sup>13/16</sup> )	352 ( 13 <sup>27/32</sup> )	480 ( 18 <sup>29/32</sup> )	31,8 ( 1 <sup>1/4</sup> )	25,45 ( 1)	32,15 ( 1 <sup>9/32</sup> )	645 ( 25 <sup>13/32</sup> )	288 ( 11 <sup>11/32</sup> )	288 ( 11 <sup>11/32</sup> )
601Z-700	10	Zinc	700 ( 27 <sup>9/16</sup> )	16 ( 5/8)	224 ( 8 <sup>13/16</sup> )	352 ( 13 <sup>27/32</sup> )	480 ( 18 <sup>29/32</sup> )	82,2 ( 3 <sup>1/4</sup> )	25,45 ( 1)	32,15 ( 1 <sup>9/32</sup> )	695 ( 27 <sup>3/8</sup> )	288 ( 11 <sup>11/32</sup> )	288 ( 11 <sup>11/32</sup> )

Other sizes and colours are available on special order.

601Z-BK rear bracket on page 21.



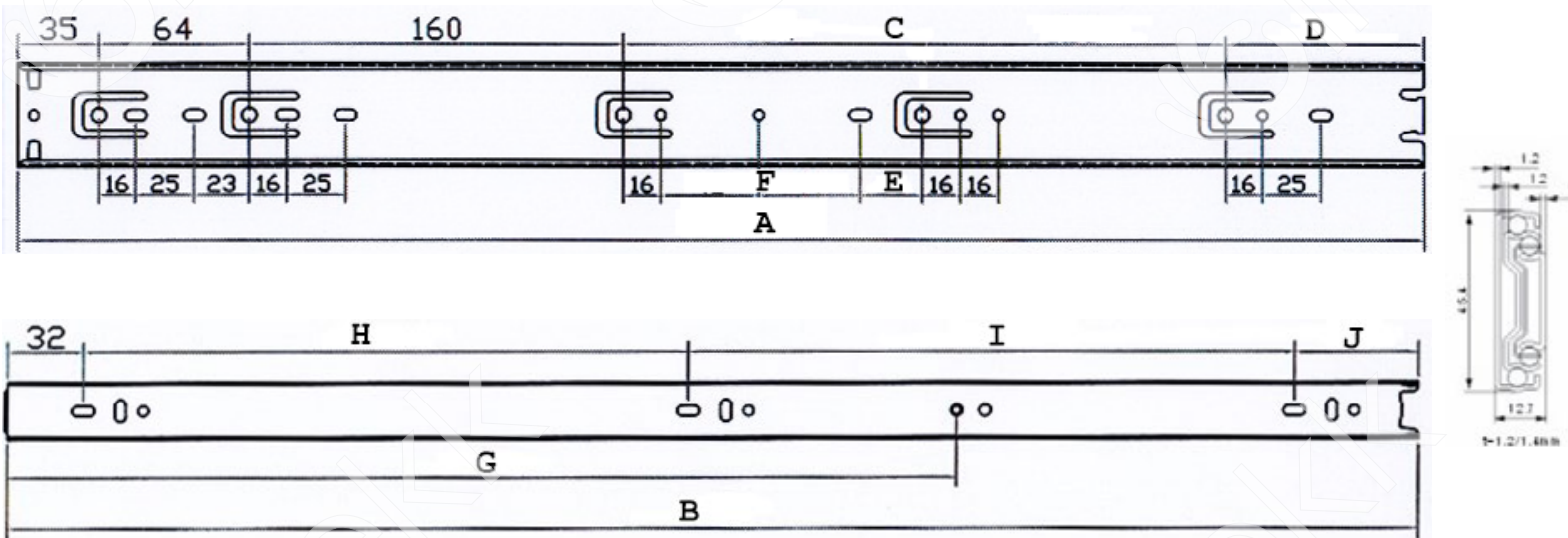
> Very quiet.

> 32mm system.

> Mounting / dismounting of drawer is very simple.

Model	Case	Finish	Overtravel mm (in)	Total length (A) mm (in)	B mm (in)	C mm (in)	D mm (in)	E mm (in)	F mm (in)	G mm (in)	H mm (in)	I mm (in)	J mm (in)
602N-200	10	Black	25 (31/32)	200 (7 7/8)	225 (8 27/32)	123,5 (4 7/8)	-	-	-	-	-	144 (5 21/32)	-
602Z-200	10	Zinc	25 (31/32)	200 (7 7/8)	225 (8 27/32)	123,5 (4 7/8)	-	-	-	-	-	144 (5 21/32)	-
602N-250	10	Black	25 (31/32)	250 (9 27/32)	275 (10 13/16)	160 (6 5/16)	-	-	-	-	-	176 (6 15/16)	-
602Z-250	10	Zinc	25 (31/32)	250 (9 27/32)	275 (10 13/16)	160 (6 5/16)	-	-	-	-	-	176 (6 15/16)	-
602N-300	10	Black	25 (31/32)	300 (11 3/16)	325 (12 25/32)	224 (8 13/16)	-	-	-	-	-	96 (3 25/32)	224 (8 13/16)
602Z-300	10	Zinc	25 (31/32)	300 (11 3/16)	325 (12 25/32)	224 (8 13/16)	-	-	-	-	-	96 (3 25/32)	224 (8 13/16)
602N-350	10	Black	25 (31/32)	350 (13 25/32)	375 (14 3/4)	224 (8 13/16)	-	-	-	-	-	128 (5 1/32)	256 (10 1/16)
602Z-350	10	Zinc	25 (31/32)	350 (13 25/32)	375 (14 3/4)	224 (8 13/16)	-	-	-	-	-	128 (5 1/32)	256 (10 1/16)
602N-400	10	Black	25 (31/32)	400 (15 3/4)	425 (16 23/32)	-	-	224 (8 13/16)	-	228 (8 31/32)	-	128 (5 1/32)	320 (12 19/32)
602Z-400	10	Zinc	25 (31/32)	400 (15 3/4)	425 (16 23/32)	-	-	224 (8 13/16)	-	228 (8 31/32)	-	128 (5 1/32)	320 (12 19/32)
602N-450	10	Black	16 (5/8)	450 (17 23/32)	466 (18 11/32)	224 (8 13/16)	352 (13 27/32)	-	-	-	-	160 (6 5/16)	352 (13 27/32)
602Z-450	10	Zinc	16 (5/8)	450 (17 23/32)	466 (18 11/32)	224 (8 13/16)	352 (13 27/32)	-	-	-	-	160 (6 5/16)	352 (13 27/32)
602N-500	10	Black	16 (5/8)	500 (19 11/16)	516 (20 5/16)	224 (8 13/16)	352 (13 27/32)	416 (16 3/8)	-	-	-	192 (7 9/16)	416 (16 3/8)
602Z-500	10	Zinc	16 (5/8)	500 (19 11/16)	516 (20 5/16)	224 (8 13/16)	352 (13 27/32)	416 (16 3/8)	-	-	-	192 (7 9/16)	416 (16 3/8)
602Z-550	10	Zinc	16 (5/8)	550 (21 21/32)	566 (22 9/32)	224 (8 13/16)	352 (13 27/32)	416 (16 3/8)	50 (1 31/32)	-	-	224 (8 13/16)	448 (17 5/8)
602Z-600	10	Zinc	16 (5/8)	600 (23 5/8)	616 (24 1/4)	224 (8 13/16)	352 (13 27/32)	480 (18 29/32)	50 (1 31/32)	-	-	256 (10 1/16)	512 (20 5/32)
602Z-650	10	Zinc	16 (5/8)	650 (25 19/32)	666 (26 7/32)	224 (8 13/16)	352 (13 27/32)	512 (20 5/32)	50 (1 31/32)	-	-	256 (10 1/16)	544 (21 13/32)
602Z-700	10	Zinc	16 (5/8)	700 (27 9/16)	716 (28 3/16)	224 (8 13/16)	352 (13 27/32)	480 (18 29/32)	50 (1 31/32)	576 (22 11/16)	50 (1 31/32)	288 (11 11/32)	576 (22 11/16)

Other sizes and colours are available on special order.  
602Z-BK rear bracket on page 21.



> Very quiet.

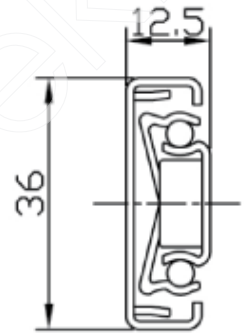
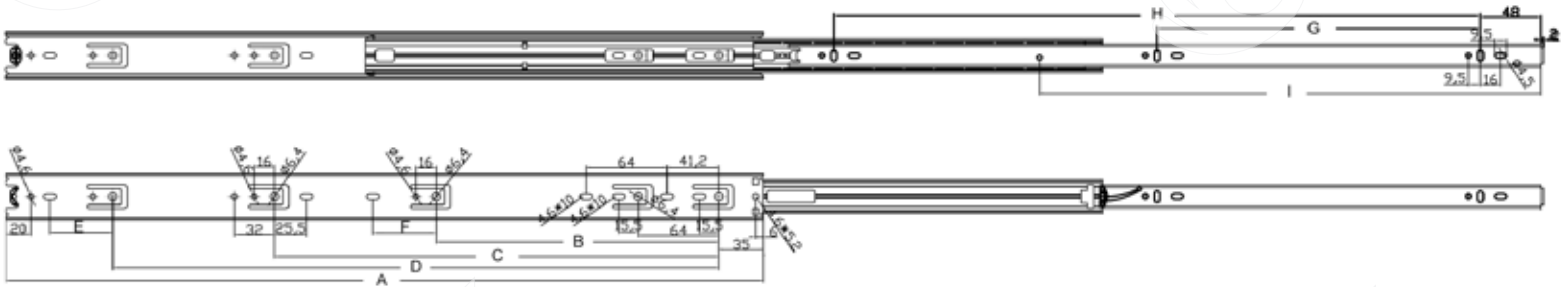
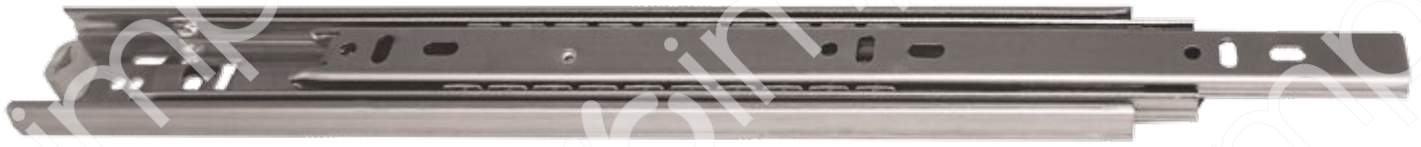
> 32mm system.

> Mounting / dismounting of drawer is very simple.

Model	Case	Finis	Overtravel mm (in)	Total Length (A) mm (in)	B mm (in)	C mm (in)	D mm (in)	E mm (in)	F mm (in)	G mm (in)	H mm (in)	I mm (in)	J mm (in)
6602N-300	10	Black	25 (31/32)	300 (11 3/16)	297 (11 11/16)	-	41 (1 5/8)	-	-	211 (8 5/16)	96 (3 25/32)	128 (5 1/32)	41 (1 5/8)
6602Z-300	10	Zinc	25 (31/32)	300 (11 3/16)	297 (11 11/16)	-	41 (1 5/8)	-	-	211 (8 5/16)	96 (3 25/32)	128 (5 1/32)	41 (1 5/8)
6602N-350	10	Black	25 (31/32)	350 (13 25/32)	347 (13 21/32)	-	91 (3 19/32)	-	-	247 (9 23/32)	128 (5 1/32)	128 (5 1/32)	59 (2 5/16)
6602Z-350	10	Zinc	25 (31/32)	350 (13 25/32)	347 (13 21/32)	-	91 (3 19/32)	-	-	247 (9 23/32)	128 (5 1/32)	128 (5 1/32)	59 (2 5/16)
6602N-400	10	Black	25 (31/32)	400 (15 3/4)	397 (15 5/8)	64 (2 17/32)	77 (3 1/32)	-	-	296 (11 21/32)	128 (5 1/32)	192 (7 9/16)	45 (1 25/32)
6602Z-400	10	Zinc	25 (31/32)	400 (15 3/4)	397 (15 5/8)	64 (2 17/32)	77 (3 1/32)	-	-	296 (11 21/32)	128 (5 1/32)	192 (7 9/16)	45 (1 25/32)
6602N-450	10	Black	16 (5/8)	450 (17 23/32)	447 (17 19/32)	128 (5 1/32)	63 (2 15/32)	26 (1 1/32)	86 (3 3/8)	321 (12 5/8)	160 (6 5/16)	192 (7 9/16)	63 (2 15/32)
6602Z-450	10	Zinc	16 (5/8)	450 (17 23/32)	447 (17 19/32)	128 (5 1/32)	63 (2 15/32)	26 (1 1/32)	86 (3 3/8)	321 (12 5/8)	160 (6 5/16)	192 (7 9/16)	63 (2 15/32)
6602N-500	10	Black	16 (5/8)	500 (19 11/16)	497 (19 9/16)	192 (7 9/16)	49 (1 15/16)	26 (1 1/32)	86 (3 3/8)	351 (13 13/16)	192 (7 9/16)	224 (8 13/16)	49 (1 15/16)
6602Z-500	10	Zinc	16 (5/8)	500 (19 11/16)	497 (19 9/16)	192 (7 9/16)	49 (1 15/16)	26 (1 1/32)	86 (3 3/8)	351 (13 13/16)	192 (7 9/16)	224 (8 13/16)	49 (1 15/16)
6602N-550	10	Black	16 (5/8)	550 (21 21/32)	547 (21 17/32)	192 (7 9/16)	99 (3 29/32)	26 (1 1/32)	86 (3 3/8)	376 (14 13/16)	224 (8 13/16)	224 (8 13/16)	67 (2 5/8)
6602Z-550	10	Zinc	16 (5/8)	550 (21 21/32)	547 (21 17/32)	192 (7 9/16)	99 (3 29/32)	26 (1 1/32)	86 (3 3/8)	376 (14 13/16)	224 (8 13/16)	224 (8 13/16)	67 (2 5/8)
6602N-600	10	Black	16 (5/8)	600 (23 5/8)	597 (23 1/2)	256 (10 1/16)	85 (3 11/32)	26 (1 1/32)	86 (3 3/8)	401 (15 25/32)	256 (10 1/16)	256 (10 1/16)	53 (2 3/32)
6602Z-600	10	Zinc	16 (5/8)	600 (23 5/8)	597 (23 1/2)	256 (10 1/16)	85 (3 11/32)	26 (1 1/32)	86 (3 3/8)	401 (15 25/32)	256 (10 1/16)	256 (10 1/16)	53 (2 3/32)

Other sizes and colours are available on special order.

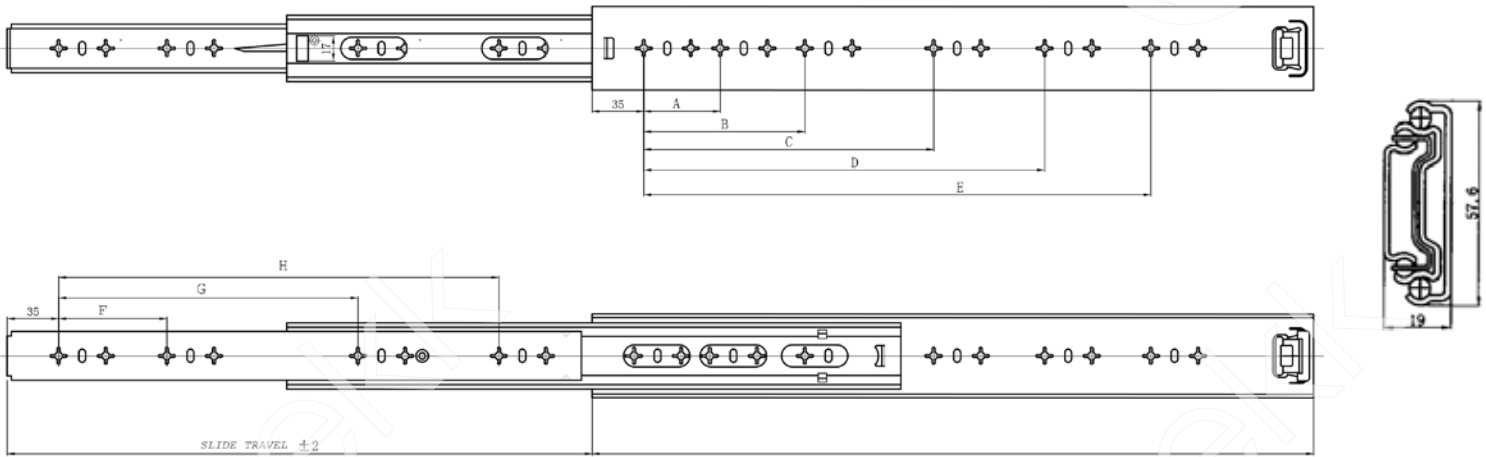
6602Z-BK rear bracket on page 21.



- > Very quiet.
- > 32mm system.
- > Mounting / dismounting of drawer is very simple.

Model	Case	Finish	Total Length (A) mm (in)	Overtravel mm (in)	B mm (in)	C mm (in)	D mm (in)	E mm (in)	F mm (in)	G mm (in)	H mm (in)	I mm (in)
611Z-300	10	Zinc	300 (11 3/16)	25 (31/32)	224 (8 13/16)	-	-	-	-	96 (3 25/32)	224 (8 13/16)	221 (8 11/16)
611Z-350	10	Zinc	350 (13 25/32)	25 (31/32)	224 (8 13/16)	160 (6 5/16)	-	50 (1 31/32)	-	128 (5 1/32)	256 (10 1/16)	250,1 (9 27/32)
611Z-400	10	Zinc	400 (15 3/4)	25 (31/32)	224 (8 13/16)	288 (11 11/32)	-	-	-	128 (5 1/32)	320 (12 19/32)	271 (10 21/32)
611Z-450	10	Zinc	450 (17 23/32)	16 (5/8)	224 (8 13/16)	352 (13 27/32)	-	50 (1 31/32)	-	160 (6 5/16)	352 (13 27/32)	312 (12 9/32)
611Z-500	10	Zinc	500 (19 11/16)	16 (5/8)	224 (8 13/16)	352 (13 27/32)	416 (16 3/8)	50 (1 31/32)	-	192 (7 9/16)	416 (16 3/8)	337 (13 9/32)
611Z-550	10	Zinc	550 (21 21/32)	16 (5/8)	224 (8 13/16)	352 (13 27/32)	416 (16 3/8)	50 (1 31/32)	50 (1 31/32)	224 (8 13/16)	448 (17 5/8)	354 (13 15/16)

Other sizes and colours are available on special order.



> Very quiet.

> Mounting / dismounting of drawer is very simple.

### Suggested Applications:

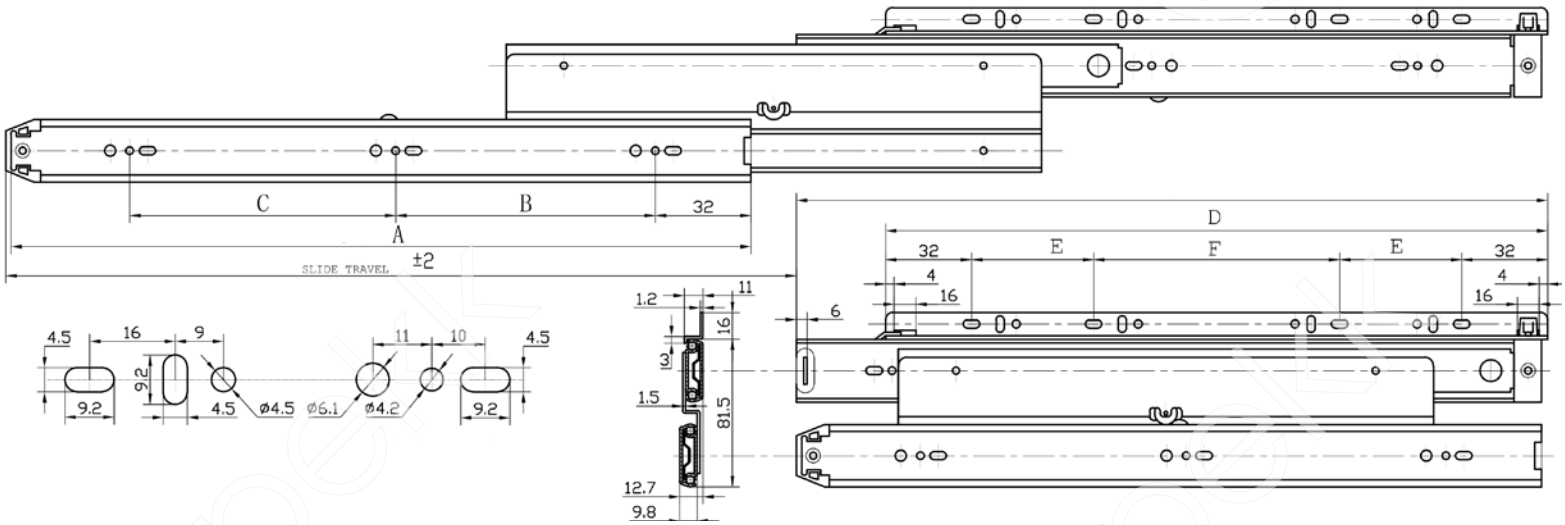
> Filing Cabinets

> Garage

> Heavy Storage

Model	Case	Finish	Total Length mm (in)	Overtravel mm (in)	A mm (in)	B mm (in)	C mm (in)	D mm (in)	E mm (in)	F mm (in)	G mm (in)	H mm (in)
613Z-350	5	Zinc	350 (13 25/32)	25 (31/32)	64 (2 17/32)	224 (8 13/16)	-	-	-	96 (3 25/32)	256 (10 1/16)	-
613Z-400	5	Zinc	400 (15 3/4)	25 (31/32)	64 (2 17/32)	288 (11 11/32)	-	-	-	96 (3 25/32)	288 (11 11/32)	-
613Z-450	5	Zinc	450 (17 23/32)	25 (31/32)	64 (2 17/32)	192 (7 9/16)	320 (12 19/32)	-	-	128 (5 1/32)	320 (12 19/32)	-
613Z-500	5	Zinc	500 (19 11/16)	25 (31/32)	64 (2 17/32)	224 (8 13/16)	384 (15 1/8)	-	-	160 (6 5/16)	384 (15 1/8)	-
613Z-550	5	Zinc	550 (21 21/32)	25 (31/32)	64 (2 17/32)	256 (10 1/16)	416 (16 3/8)	-	-	192 (7 9/16)	416 (16 3/8)	-
613Z-600	5	Zinc	600 (23 5/8)	25 (31/32)	64 (2 17/32)	256 (10 1/16)	416 (16 3/8)	480 (18 29/32)	-	192 (7 9/16)	480 (18 29/32)	-
613Z-650	5	Zinc	650 (25 19/32)	25 (31/32)	64 (2 17/32)	192 (7 9/16)	288 (11 11/32)	448 (17 5/8)	512 (20 5/32)	224 (8 13/16)	384 (15 1/8)	512 (20 5/32)
613Z-700	5	Zinc	700 (27 9/16)	25 (31/32)	64 (2 17/32)	192 (7 9/16)	320 (12 19/32)	480 (18 29/32)	576 (22 11/16)	224 (8 13/16)	416 (16 3/8)	576 (22 11/16)
613Z-750	5	Zinc	750 (29 21/32)	25 (31/32)	64 (2 17/32)	192 (7 9/16)	352 (13 27/32)	512 (20 5/32)	608 (23 15/16)	224 (8 13/16)	448 (17 5/8)	608 (23 15/16)
613Z-800	5	Zinc	800 (31 5/8)	25 (31/32)	64 (2 17/32)	192 (7 9/16)	384 (15 1/8)	544 (21 13/32)	672 (26 15/32)	224 (8 13/16)	480 (18 29/32)	672 (26 15/32)

Other sizes and colours are available on special order.



> Very quiet.

> Mounting / dismounting of drawer is very simple.

> With rail.

### Suggested Applications:

> Filing Cabinets

> Garage

> Heavy Storage

Model	Case	Finish	Total Length mm (in)	Overtravel mm (in)	A mm (in)	B mm (in)	C mm (in)	D mm (in)	E mm (in)	F mm (in)
614Z-14	5	Zinc	355,6 (14)	25,4 (1)	355 (13 31/32)	128 (5 1/32)	160 (6 5/16)	288 (11 11/32)	64 (2 17/32)	96 (3 25/32)
614Z-16	5	Zinc	406,4 (16)	25,4 (1)	406 (15 31/32)	160 (6 5/16)	160 (6 5/16)	352 (13 27/32)	64 (2 17/32)	160 (6 5/16)
614Z-18	5	Zinc	457,2 (18)	25,4 (1)	457 (18)	192 (7 9/16)	192 (7 9/16)	384 (15 1/8)	64 (2 17/32)	192 (7 9/16)
614Z-20	5	Zinc	508 (20)	25,4 (1)	508 (20)	224 (8 13/16)	192 (7 9/16)	448 (17 5/8)	64 (2 17/32)	256 (10 1/16)
614Z-22	5	Zinc	558,8 (22)	25,4 (1)	559 (22)	256 (10 1/16)	224 (8 13/16)	480 (18 29/32)	64 (2 17/32)	288 (11 11/32)
614Z-24	5	Zinc	609,6 (24)	25,4 (1)	610 (24 1/32)	288 (11 11/32)	256 (10 1/16)	544 (21 13/32)	64 (2 17/32)	352 (13 27/32)

Other sizes and colours are available on special order.



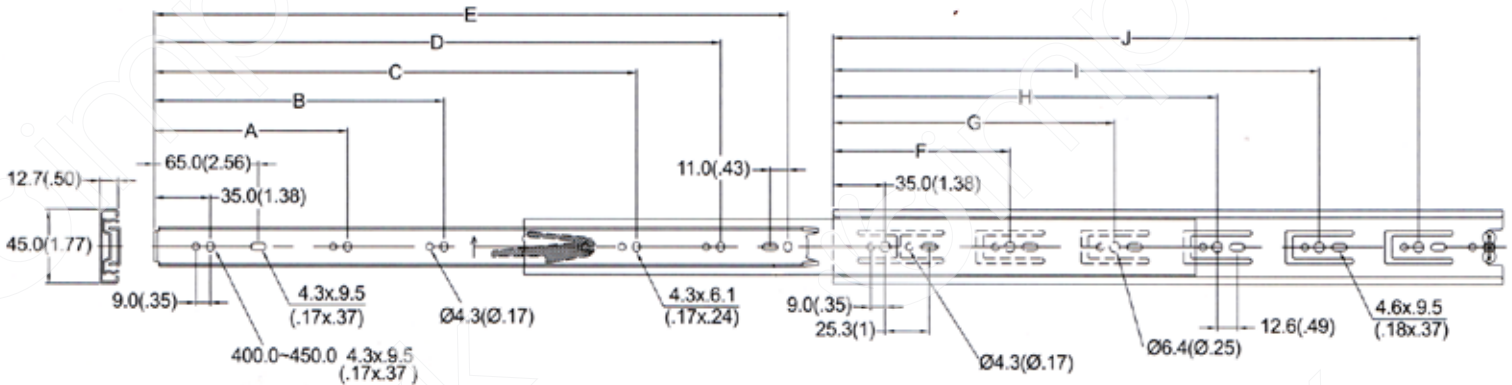
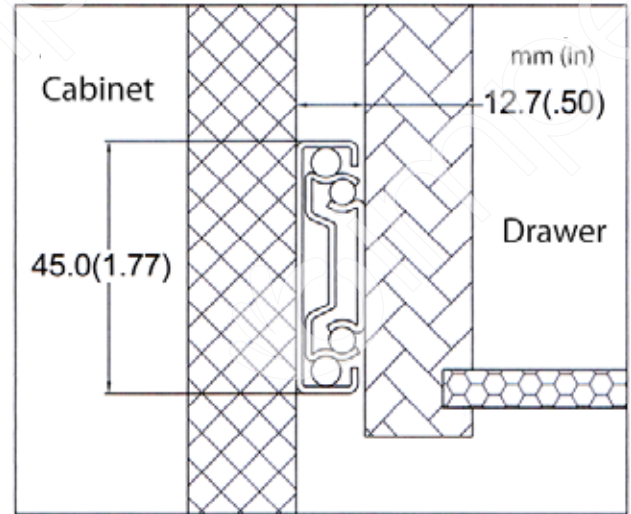
## Features

- > Ultra-smooth and silent soft-closing system.
- > Easy to pull open.
- > Designed for an easy installation.
- > High tolerance drawer box construction.
- > 50,000 cycles guaranteed with proper installation and normal usage.



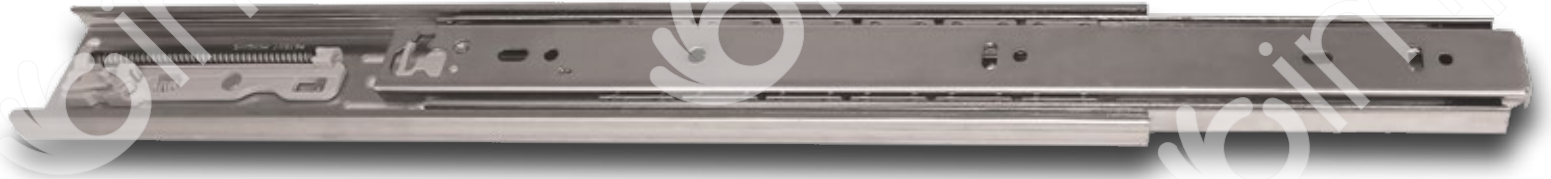
Model	Case	Finish
605ZSC-300	15	Zinc
605ZSC-350	15	Zinc
605ZSC-400	15	Zinc
605ZSC-450	15	Zinc
605ZSC-500	15	Zinc
605ZSC-550	15	Zinc
605ZSC-600	15	Zinc

# Technical Specifications



Total Length	Slide Travel	A	B	C	D	E	F
mm (in)	mm (in)	mm (in)	mm (in)	mm (in)	mm (in)	mm (in)	mm (in)
302 ( 11 <sup>7</sup> / <sub>8</sub> )	285 ( 11 <sup>7</sup> / <sub>32</sub> )	96 ( 3 <sup>25</sup> / <sub>32</sub> )	-	-	96 ( 3 <sup>25</sup> / <sub>32</sub> )	-	-
352 ( 13 <sup>11</sup> / <sub>32</sub> )	345 ( 13 <sup>39</sup> / <sub>64</sub> )	128 ( 5 <sup>1</sup> / <sub>32</sub> )	224 ( 8 <sup>13</sup> / <sub>16</sub> )	-	128 ( 5 <sup>1</sup> / <sub>32</sub> )	-	-
402 ( 15 <sup>5</sup> / <sub>16</sub> )	400 ( 15 <sup>3</sup> / <sub>4</sub> )	128 ( 5 <sup>1</sup> / <sub>32</sub> )	256 ( 10 <sup>1</sup> / <sub>16</sub> )	-	128 ( 5 <sup>1</sup> / <sub>32</sub> )	-	-
452 ( 17 <sup>25</sup> / <sub>32</sub> )	450 ( 17 <sup>23</sup> / <sub>32</sub> )	128 ( 5 <sup>1</sup> / <sub>32</sub> )	320 ( 12 <sup>19</sup> / <sub>32</sub> )	-	128 ( 5 <sup>1</sup> / <sub>32</sub> )	256 ( 10 <sup>1</sup> / <sub>16</sub> )	-
502 ( 19 <sup>3</sup> / <sub>4</sub> )	500 ( 19 <sup>11</sup> / <sub>16</sub> )	128 ( 5 <sup>1</sup> / <sub>32</sub> )	224 ( 8 <sup>13</sup> / <sub>16</sub> )	352 ( 13 <sup>27</sup> / <sub>32</sub> )	128 ( 5 <sup>1</sup> / <sub>32</sub> )	256 ( 10 <sup>1</sup> / <sub>16</sub> )	-
552 ( 21 <sup>21</sup> / <sub>32</sub> )	550 ( 21 <sup>21</sup> / <sub>32</sub> )	128 ( 5 <sup>1</sup> / <sub>32</sub> )	256 ( 10 <sup>1</sup> / <sub>16</sub> )	384 ( 15 <sup>15</sup> / <sub>32</sub> )	128 ( 5 <sup>1</sup> / <sub>32</sub> )	224 ( 8 <sup>13</sup> / <sub>16</sub> )	320 ( 12 <sup>19</sup> / <sub>32</sub> )
602 ( 23 <sup>45</sup> / <sub>64</sub> )	600 ( 23 <sup>5</sup> / <sub>8</sub> )	128 ( 5 <sup>1</sup> / <sub>32</sub> )	288 ( 11 <sup>11</sup> / <sub>32</sub> )	416 ( 16 <sup>3</sup> / <sub>8</sub> )	128 ( 5 <sup>1</sup> / <sub>32</sub> )	224 ( 8 <sup>13</sup> / <sub>16</sub> )	320 ( 12 <sup>19</sup> / <sub>32</sub> )

Other sizes and colours are available on special order.  
602Z-BK rear bracket on page 21.

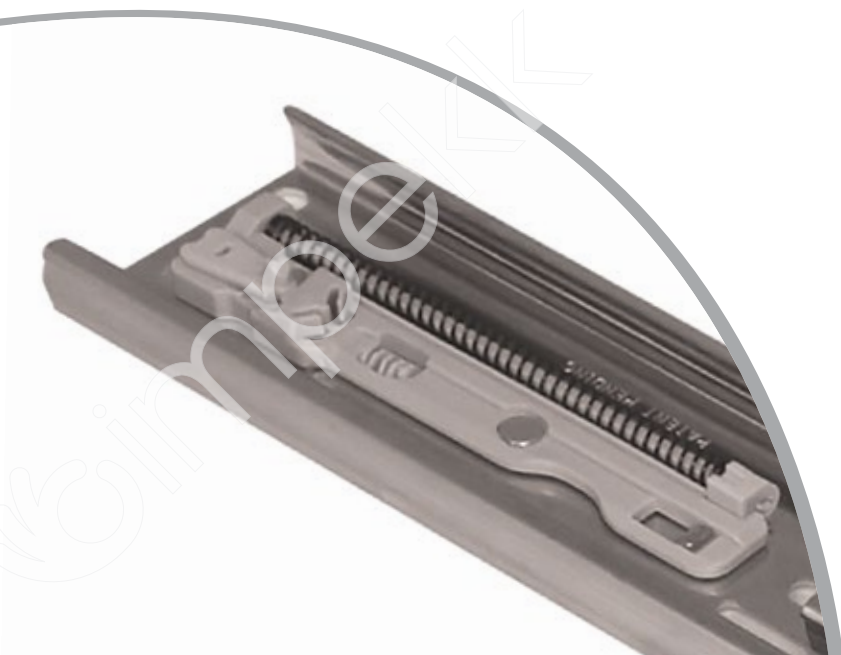


## Features

- > Push open, handle free.
- > Dual design allows for traditional push-open preventing damage caused by improper installation and usage.
- > Very easy to open, no hands needed.
- > Ultra-smooth with high rigidity and stability design.
- > 50,000 cycles guaranteed with proper installation and normal usage.

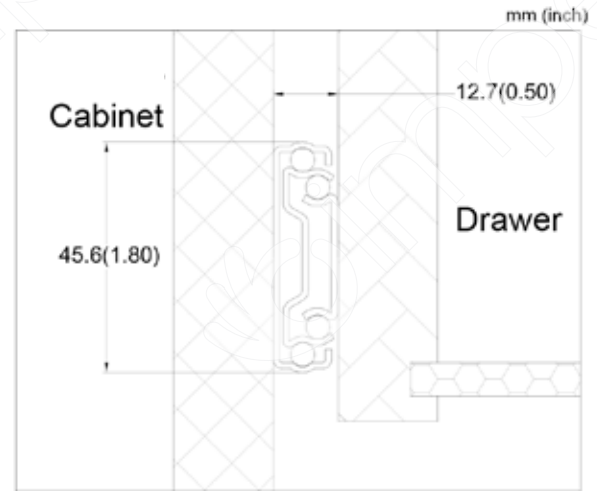
### Suggested Applications:

- > Kitchen
- > Drawers with no handles

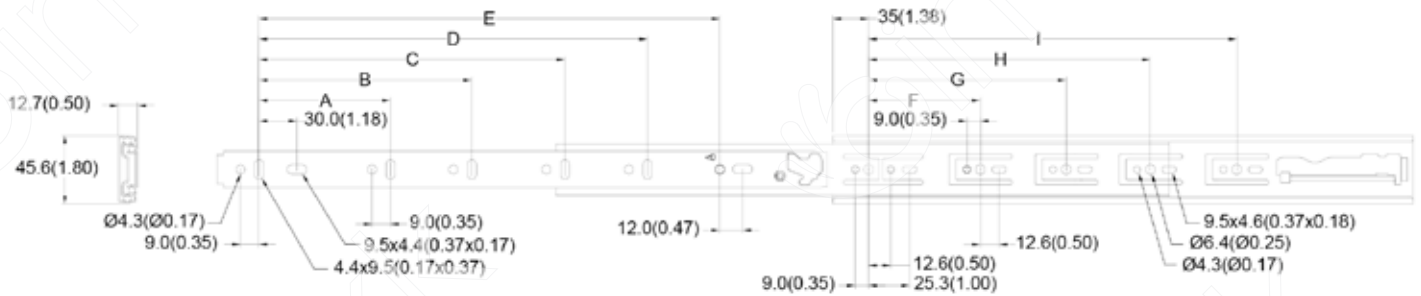
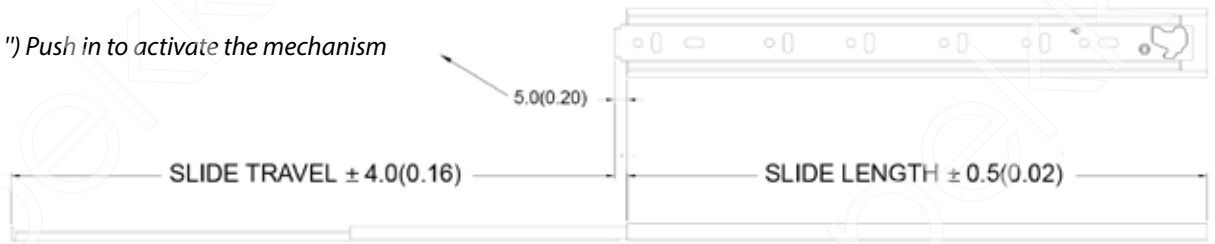


Model	Case	Finish
607ZPS-300	15	Zinc
607ZPS-350	15	Zinc
607ZPS-400	15	Zinc
607ZPS-450	15	Zinc
607ZPS-500	15	Zinc
607ZPS-550	15	Zinc
607ZPS-600	15	Zinc

# Technical Specifications

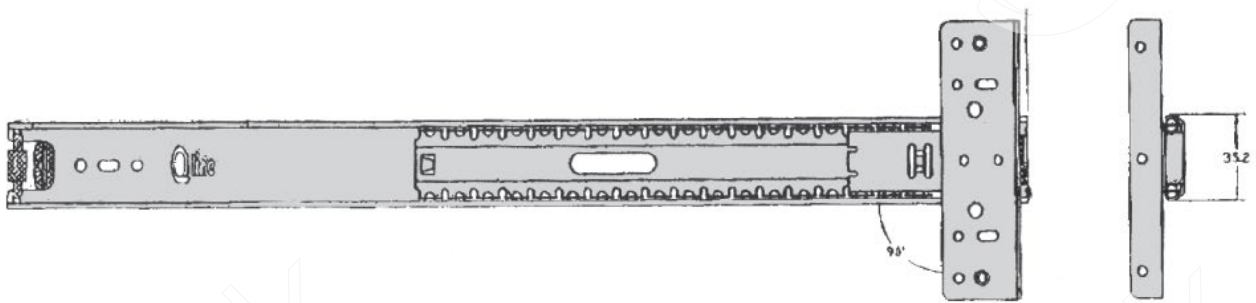


5mm (1/5") Push in to activate the mechanism



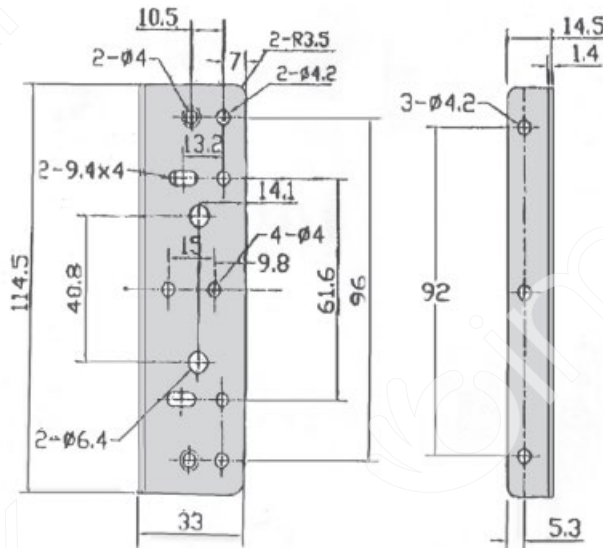
Total Length	Slide Travel	A	B	C	D	E	F	G	H	I
mm (in)	mm (in)	mm (in)	mm (in)	mm (in)	mm (in)	mm (in)	mm (in)	mm (in)	mm (in)	mm (in)
300 (11 13/16)	300,7 (11 27/32)	128 (5 1/25")	-	-	-	201 (7 81/89)	-	-	-	128 (5 1/25")
350 (13 25/32)	350,7 (13 13/16)	128 (5 1/25")	-	-	-	261 (10 7/25)	128 (5 1/25")	-	-	192 (7 14/25)
400 (15 3/4)	400,7 (15 25/32)	128 (5 1/25")	-	-	-	311 (12 6/25)	128 (5 1/25")	-	-	224 (8 32/39)
450 (17 23/32)	450,7 (17 3/4)	128 (5 1/25")	320 (12 3/5)	-	-	361 (14 4/9)	128 (5 1/25")	-	-	288 (11 16/47)
500 (19 11/16)	500,7 (19 23/32)	128 (5 1/25")	224 (8 32/39)	320 (12 3/5)	-	407 (16 1/50)	128 (5 1/25")	224 (8 32/39)	-	320 (12 3/5)
550 (21 21/32)	550,7 (21 11/16)	128 (5 1/25")	224 (8 32/39)	416 (16 11/29)	-	461 (18 7/50)	128 (5 1/25")	224 (8 32/39)	-	384 (15 3/25)
600 (23 5/8)	600,7 (23 21/32)	128 (5 1/25")	224 (8 32/39)	416 (16 11/29)	-	511 (20 3/25)	128 (5 1/25")	224 (8 32/39)	352 (13 43/50)	448 (17 16/25)

Other sizes and colours are available on special order.



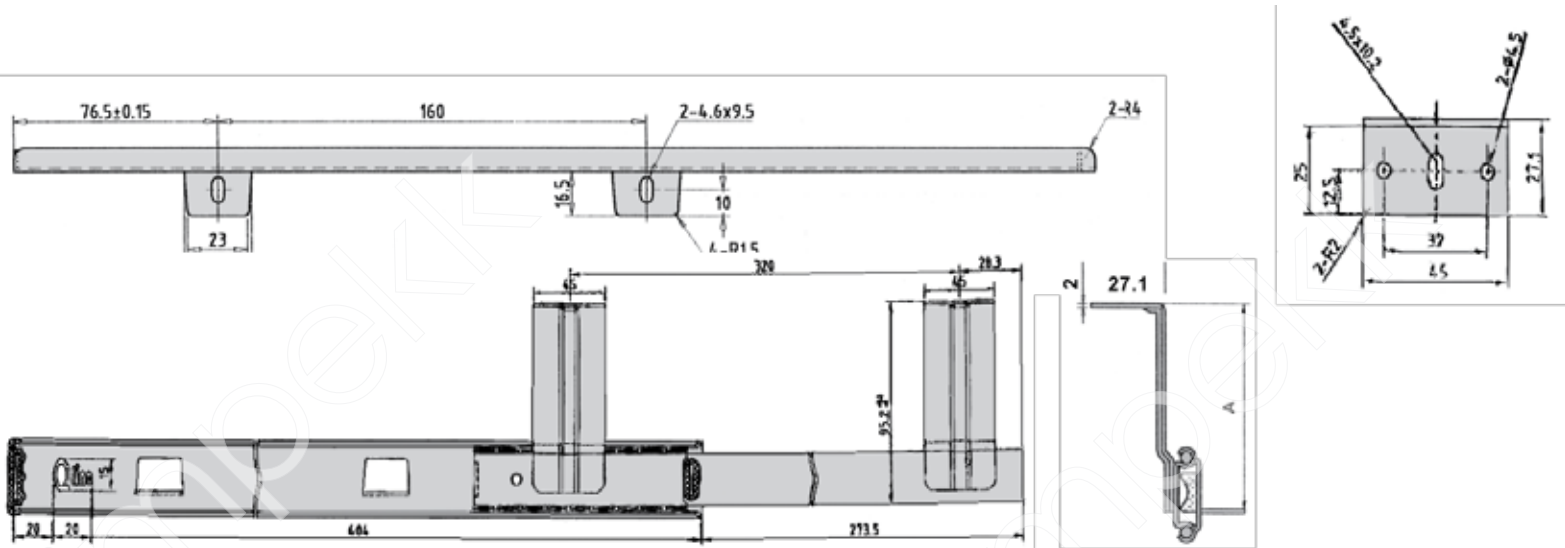
**Suggested Applications:**

- > Doors that open from the top of the cabinet
- > On the side of retractable doors
- > Entertainment furniture



Model	Case	Finish	Total Length mm (in)
606Z-350	10	Zinc	350 (13 <sup>25</sup> / <sub>32</sub> )
606Z-400	10	Zinc	400 (15 <sup>3</sup> / <sub>4</sub> )
606Z-450	10	Zinc	450 (17 <sup>23</sup> / <sub>32</sub> )
606Z-500	10	Zinc	500 (19 <sup>11</sup> / <sub>16</sub> )

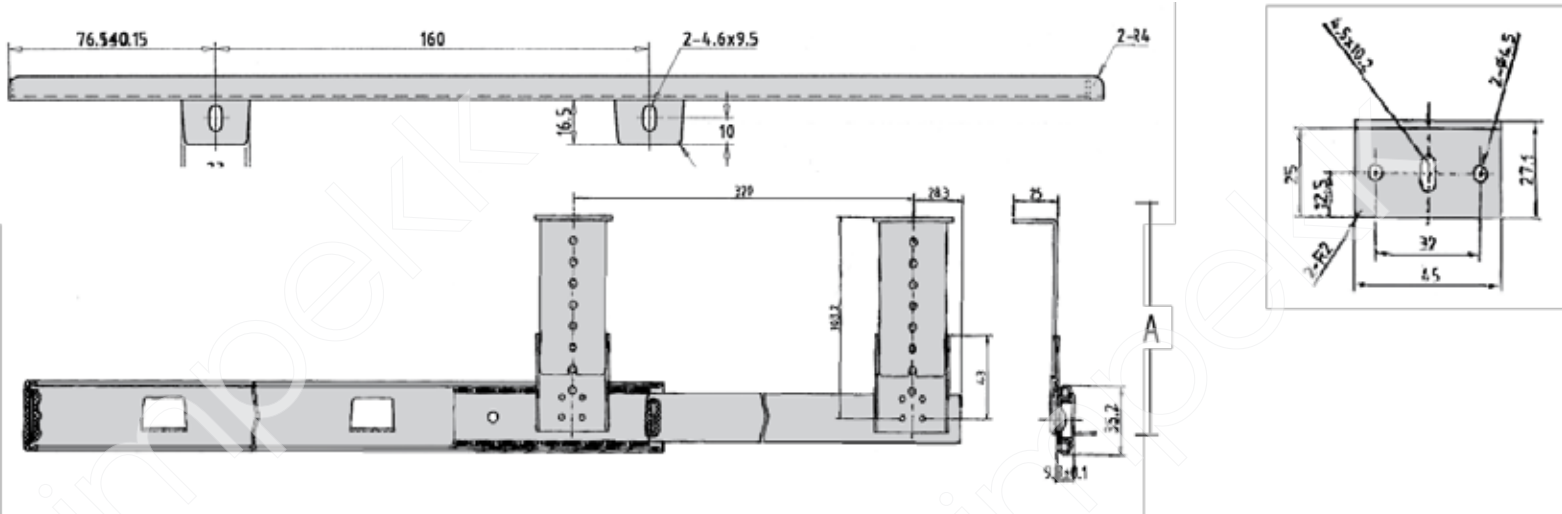
Other sizes and colours are available on special order.



> Keyboard slide for 284mm (11 3/16 ") shelves and more.

Model	Case	Finish	Total Length mm (in)	Loss of Travel Distance mm (in)	A mm (in)
603N-320-16/4	10	Black	404 ( 15 29/32 )	120 ( 4 23/32 )	89 ( 3 1/2 )

Other sizes and colours are available on special order.



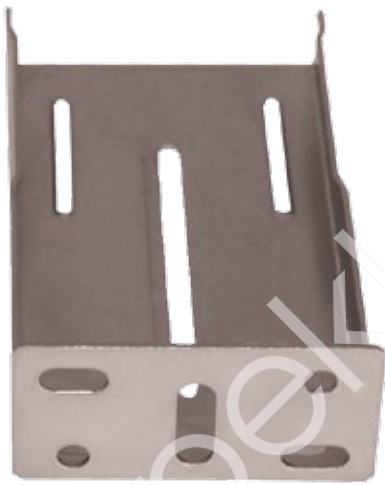
> 604N-14 keyboard slide for 238mm (9 3/8 ") shelves and more.

> 604N-16 keyboard slide for 294mm (11 9/16 ") shelves and more.

Model	Case	Finish	Total Length mm (in)	Loss of Travel Distance mm (in)	A mm (in)
604N-14	10	Black	355 ( 13 31/32 )	117 ( 4 19/32 )	50-95 ( 1 31/32 - 3 3/4 )
604N-16	10	Black	404 ( 15 29/32 )	110 ( 4 11/32 )	50-95 ( 1 31/32 - 3 3/4 )

Other sizes and colours are available on special order.

## 601Z-BK & 602Z-BK

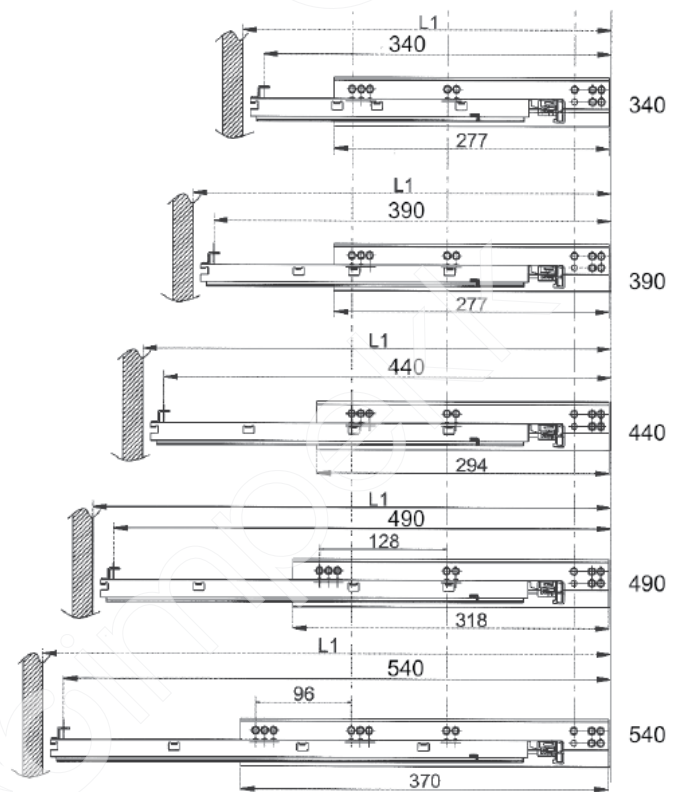
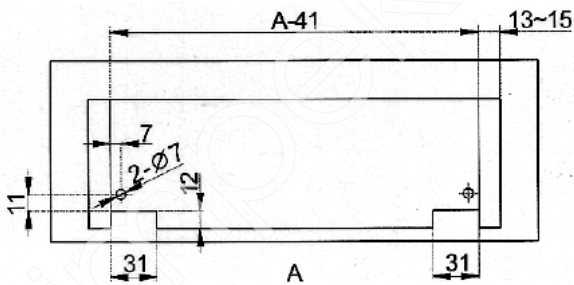
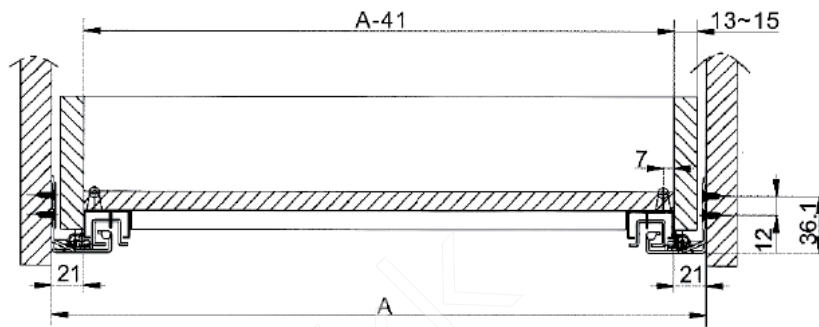


Model	Case pairs	Description
601Z-BK	250	Rear bracket for cabinet with frame for 601 series.
602Z-BK	100	Rear bracket for cabinet with frame for 602, 6602, 605 & 607 series.

# Undermount Slides

p. 22- 27





Model	Case	Finish	Drawer Length mm (in)	Minimum Box Depth mm (in)
B654ZSC-340	10	Zinc	340 (13 <sup>3/8</sup> )	358 (14 <sup>3/32</sup> )
B654ZSC-390	10	Zinc	390 (15 <sup>11/32</sup> )	408 (16 <sup>1/16</sup> )
B654ZSC-440	10	Zinc	440 (17 <sup>5/16</sup> )	458 (18 <sup>1/32</sup> )
B654ZSC-490	10	Zinc	490 (19 <sup>9/32</sup> )	508 (20)
B654ZSC-540	10	Zinc	540 (21 <sup>1/4</sup> )	558 (21 <sup>31/32</sup> )

**BIFMA**

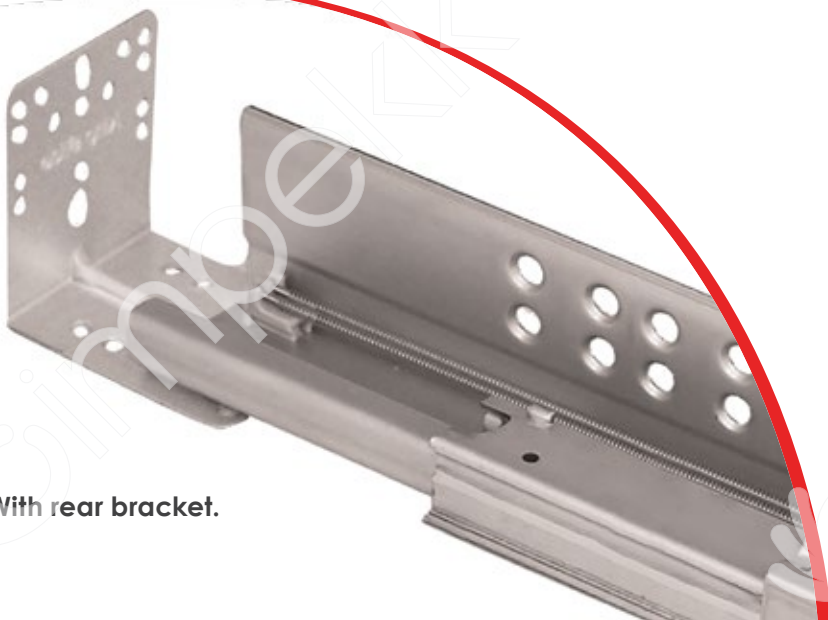
\*Without rear bracket.

## Features

- > Undermount with full extension travel length.
- > Ultra-smooth gliding motion design with high rigidity and stability.
- > Durable soft-closing system with fast response.
- > Effortless assembly and removal of drawer with front release lever.
- > 50,000 cycles guaranteed with proper installation and normal usage.

Model	Case	Finish
B657ZSC-250	6	Zinc
B657ZSC-300	6	Zinc
B657ZSC-350	6	Zinc
B657ZSC-400	6	Zinc
B657ZSC-450	6	Zinc
B657ZSC-500	6	Zinc
B657ZSC-550	6	Zinc

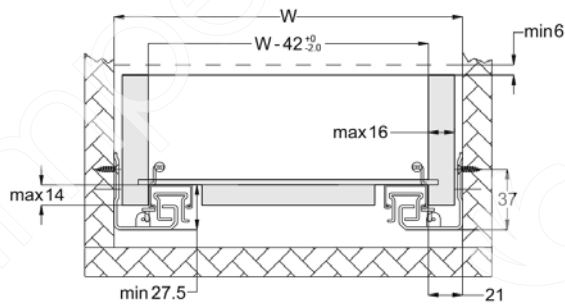
Model	Case	Finish
B657ZSC-12	6	Zinc
B657ZSC-15	6	Zinc
B657ZSC-18	6	Zinc
B657ZSC-21	6	Zinc



\*With rear bracket.

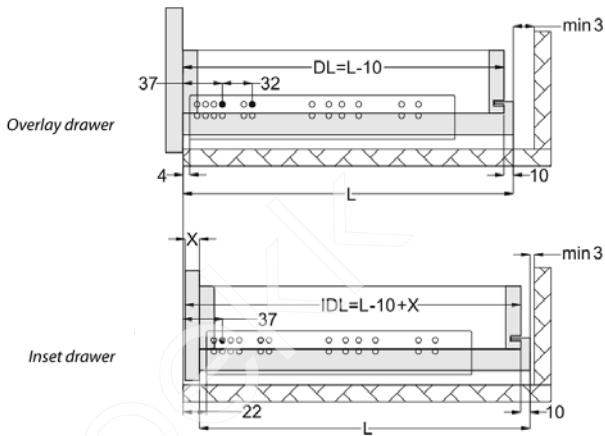
# Technical Specifications

Front view

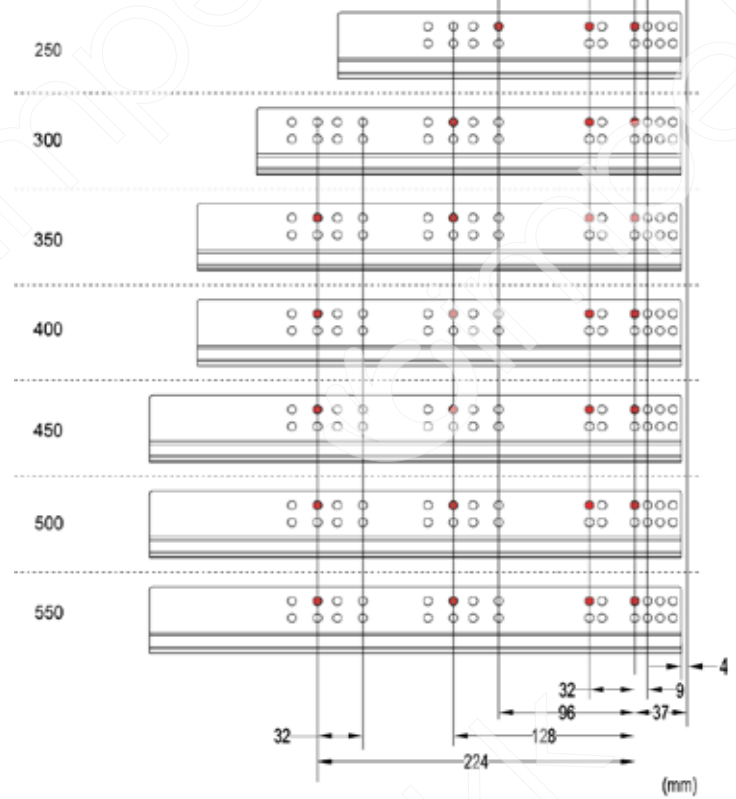


W: Internal cabinet width  
L: Slide Length  
X: Front panel thickness

Side view



DL: Drawer length  
IDL: Inset drawer length

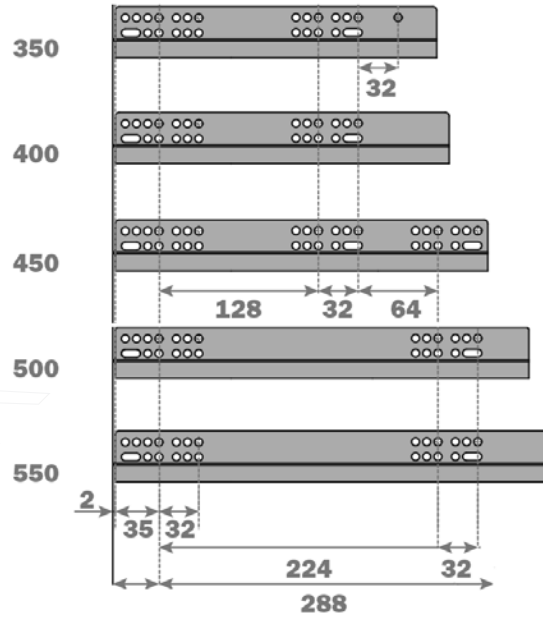


## Frameless Cabinet Application

Drawer Length mm (in)	Slide Travel mm (in)	Self-Closing Travel mm (in)
250 ( 9 <sup>27</sup> / <sub>32</sub> )	224 ( 8 <sup>32</sup> / <sub>39</sub> )	25 ( <sup>31</sup> / <sub>32</sub> )
300 ( 11 <sup>3</sup> / <sub>16</sub> )	280 ( 11 <sup>1</sup> / <sub>32</sub> )	38 ( 1 <sup>1</sup> / <sub>2</sub> )
350 ( 13 <sup>25</sup> / <sub>32</sub> )	340 ( 13 <sup>3</sup> / <sub>8</sub> )	50 ( 1 <sup>31</sup> / <sub>32</sub> )
400 ( 15 <sup>3</sup> / <sub>4</sub> )	390 ( 15 <sup>11</sup> / <sub>32</sub> )	50 ( 1 <sup>31</sup> / <sub>32</sub> )
450 ( 17 <sup>23</sup> / <sub>32</sub> )	440 ( 17 <sup>5</sup> / <sub>16</sub> )	50 ( 1 <sup>31</sup> / <sub>32</sub> )
500 ( 19 <sup>11</sup> / <sub>16</sub> )	490 ( 19 <sup>9</sup> / <sub>32</sub> )	50 ( 1 <sup>31</sup> / <sub>32</sub> )
550 ( 21 <sup>21</sup> / <sub>32</sub> )	540 ( 21 <sup>1</sup> / <sub>4</sub> )	50 ( 1 <sup>31</sup> / <sub>32</sub> )

## Face Frame Cabinet Application (Rear Bracket Included)

Drawer Length mm (in)	Overall Cabinet Depth mm (in)	Profile Length mm (in)
305 ( 12 )	381 ( 15 )	317 ( 12 <sup>1</sup> / <sub>2</sub> )
381 ( 15 )	457 ( 18 )	394 ( 15 <sup>1</sup> / <sub>2</sub> )
457 ( 18 )	533 ( 21 )	470 ( 18 <sup>1</sup> / <sub>2</sub> )
533 ( 21 )	610 ( 24 )	546 ( 21 <sup>1</sup> / <sub>2</sub> )



- > Smove: decelerator system integrated in the slide which slows down the closing of the drawer.
- > Safety system prevents the drawers from turning over.
- > The drawer is maintained parallel with the cabinet side during opening.

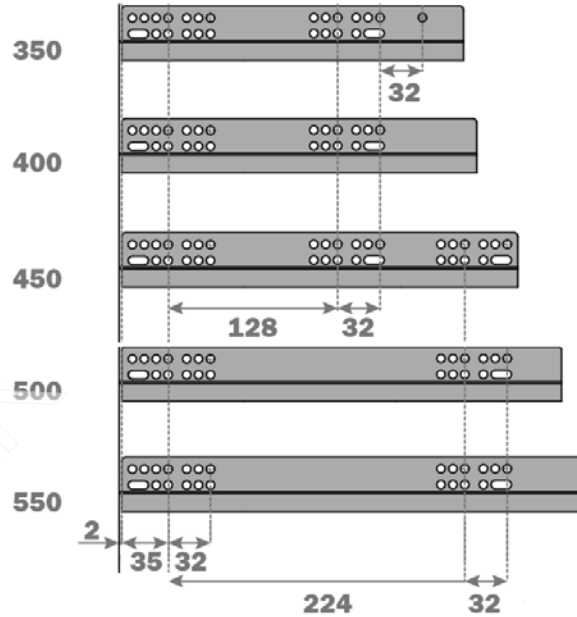
Model	Case pairs	Finish	Total Length mm (in)
A6155ZSC-35	6	Zinc	350 (13 <sup>25</sup> / <sub>32</sub> )
A6155ZSC-40	6	Zinc	400 (15 <sup>3</sup> / <sub>4</sub> )
A6155ZSC-45	6	Zinc	450 (17 <sup>23</sup> / <sub>32</sub> )
A6155ZSC-50	6	Zinc	500 (19 <sup>11</sup> / <sub>16</sub> )
A6155ZSC-55	6	Zinc	550 (21 <sup>21</sup> / <sub>32</sub> )

Compatible with clip:

A710.610-CLF



- > Standard clip with integrated vertical adjustment can be achieved without tools.
- > Sold in cases of 20 pairs.

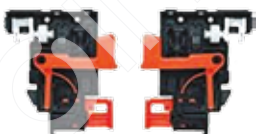


- > **Smove:** decelerator system integrated in the slide which slows down the closing of the drawer.
- > **Safety system** prevents the drawers from turning over.
- > **The drawer is maintained parallel** with the cabinet side during opening.

Model	Case pairs	Finish	Total Length mm (in)
A6555ZSC-35	6	Zinc	350 (13 <sup>25</sup> / <sub>32</sub> )
A6555ZSC-40	6	Zinc	400 (15 <sup>3</sup> / <sub>4</sub> )
A6555ZSC-45	6	Zinc	450 (17 <sup>23</sup> / <sub>32</sub> )
A6555ZSC-50	6	Zinc	500 (19 <sup>11</sup> / <sub>16</sub> )
A6555ZSC-55	6	Zinc	550 (21 <sup>21</sup> / <sub>32</sub> )

Compatible with clips:

**A750.010-CLF**



- > 3D clip with integrated vertical, front and side adjustments can be achieved without tools
- > Sold in cases of 110 pairs.

**A710.610-CLF**

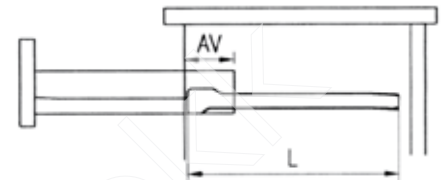
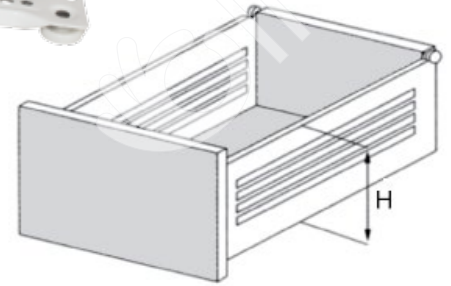
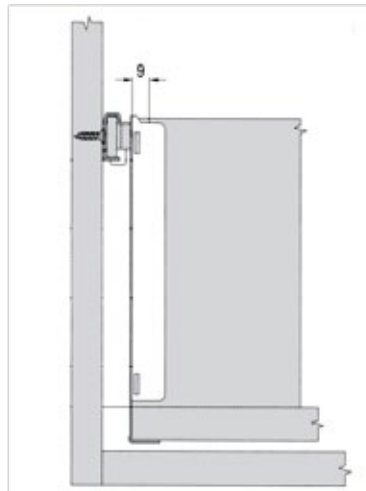
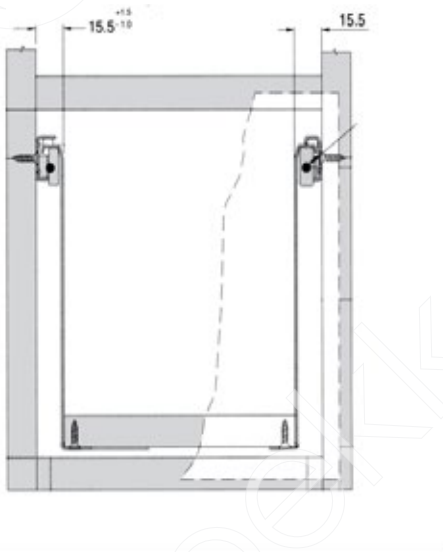


- > Standard clip with integrated vertical adjustment can be achieved without tools.
- > Sold in cases of 20 pairs.

# Metallic Drawer Slides

p. 28-31

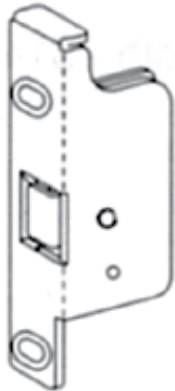




Choice of brackets on page 30.

Model	Case	Colour	Total Length mm (in)	AV mm (in)	Thickness mm (in)	Height (H) mm (in)
656B-150-250	5	Cream	250 (9 <sup>27</sup> / <sub>32</sub> )	85 (3 <sup>11</sup> / <sub>32</sub> )	1,2 ( <sup>1</sup> / <sub>16</sub> )	150 (5 <sup>29</sup> / <sub>32</sub> )
656B-86-350	5	Cream	350 (13 <sup>25</sup> / <sub>32</sub> )	85 (3 <sup>11</sup> / <sub>32</sub> )	1,2 ( <sup>1</sup> / <sub>16</sub> )	86 (3 <sup>3</sup> / <sub>8</sub> )
656B-118-350	5	Cream	350 (13 <sup>25</sup> / <sub>32</sub> )	85 (3 <sup>11</sup> / <sub>32</sub> )	1,2 ( <sup>1</sup> / <sub>16</sub> )	118 (4 <sup>21</sup> / <sub>32</sub> )
656B-150-350	5	Cream	350 (13 <sup>25</sup> / <sub>32</sub> )	85 (3 <sup>11</sup> / <sub>32</sub> )	1,2 ( <sup>1</sup> / <sub>16</sub> )	150 (5 <sup>29</sup> / <sub>32</sub> )
656B-86-400	5	Cream	400 (15 <sup>3</sup> / <sub>4</sub> )	85 (3 <sup>11</sup> / <sub>32</sub> )	1,2 ( <sup>1</sup> / <sub>16</sub> )	86 (3 <sup>3</sup> / <sub>8</sub> )
656B-118-400	5	Cream	400 (15 <sup>3</sup> / <sub>4</sub> )	85 (3 <sup>11</sup> / <sub>32</sub> )	1,2 ( <sup>1</sup> / <sub>16</sub> )	118 (4 <sup>21</sup> / <sub>32</sub> )
656B-150-400	5	Cream	400 (15 <sup>3</sup> / <sub>4</sub> )	85 (3 <sup>11</sup> / <sub>32</sub> )	1,2 ( <sup>1</sup> / <sub>16</sub> )	150 (5 <sup>29</sup> / <sub>32</sub> )
656B-86-450	5	Cream	450 (17 <sup>23</sup> / <sub>32</sub> )	95 (3 <sup>3</sup> / <sub>4</sub> )	1,2 ( <sup>1</sup> / <sub>16</sub> )	86 (3 <sup>3</sup> / <sub>8</sub> )
656B-118-450	5	Cream	450 (17 <sup>23</sup> / <sub>32</sub> )	95 (3 <sup>3</sup> / <sub>4</sub> )	1,2 ( <sup>1</sup> / <sub>16</sub> )	118 (4 <sup>21</sup> / <sub>32</sub> )
656B-150-450	5	Cream	450 (17 <sup>23</sup> / <sub>32</sub> )	95 (3 <sup>3</sup> / <sub>4</sub> )	1,2 ( <sup>1</sup> / <sub>16</sub> )	150 (5 <sup>29</sup> / <sub>32</sub> )
656B-86-500	5	Cream	500 (19 <sup>11</sup> / <sub>16</sub> )	102 (4 <sup>1</sup> / <sub>32</sub> )	1,2 ( <sup>1</sup> / <sub>16</sub> )	86 (3 <sup>3</sup> / <sub>8</sub> )
656B-86-550	5	Cream	550 (21 <sup>21</sup> / <sub>32</sub> )	110 (4 <sup>11</sup> / <sub>32</sub> )	1,2 ( <sup>1</sup> / <sub>16</sub> )	86 (3 <sup>3</sup> / <sub>8</sub> )
656B-118-550	5	Cream	550 (21 <sup>21</sup> / <sub>32</sub> )	110 (4 <sup>11</sup> / <sub>32</sub> )	1,2 ( <sup>1</sup> / <sub>16</sub> )	118 (4 <sup>21</sup> / <sub>32</sub> )
656B-150-550	5	Cream	550 (21 <sup>21</sup> / <sub>32</sub> )	110 (4 <sup>11</sup> / <sub>32</sub> )	1,2 ( <sup>1</sup> / <sub>16</sub> )	150 (5 <sup>29</sup> / <sub>32</sub> )

Other sizes and colours are available on special order.

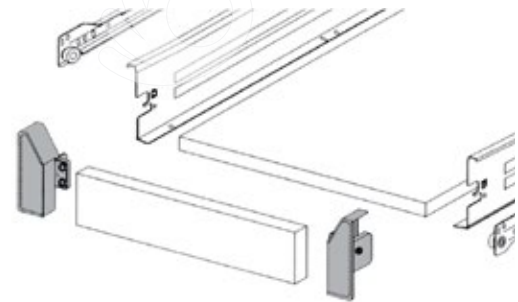


**656FV**



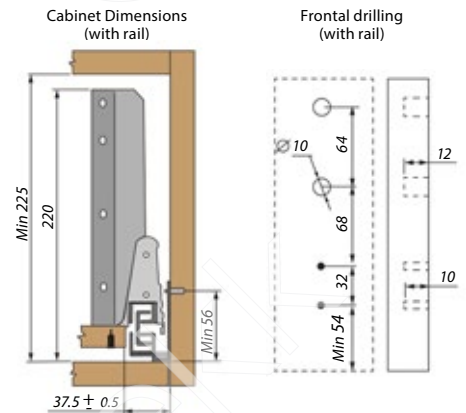
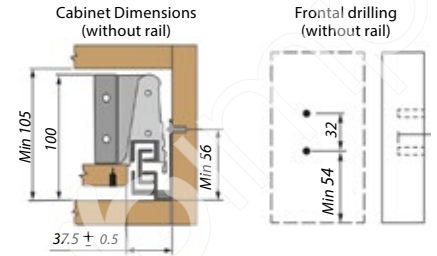
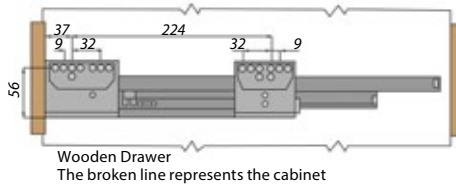
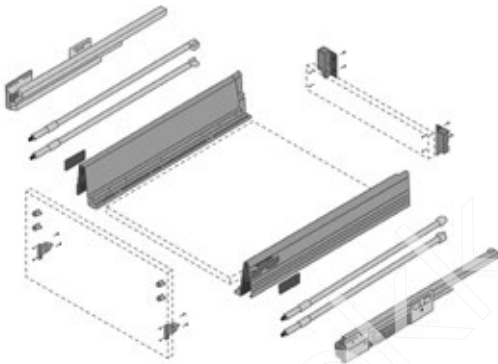
ø 10.5 x 11.5mm

**656FG**



**656B-T1D**

Model	Case	Colour	Description
656FV-DR	250	Nickel	Right Bracket
656FV-GC	250	Nickel	Left Bracket
656FG-DR	250	Nickel	Right Bracket
656FG-GC	250	Nickel	Left Bracket
656B-T1D-86	250	Nickel	Right Bracket
656B-T1G-86	250	Nickel	Left Bracket
656B-T1D-150	250	Nickel	Right Bracket
656B-T1G-150	250	Nickel	Left Bracket



### Drawer Side with Integrated Slides

Model	Case	Colour	Total Length mm (in)	Total Height mm (in)
B686GA-86-350	1	Silver Grey	350 (13 <sup>25</sup> / <sub>32</sub> )	88 (3 <sup>15</sup> / <sub>32</sub> )
B686GA-86-400	1	Silver Grey	400 (15 <sup>3</sup> / <sub>4</sub> )	88 (3 <sup>15</sup> / <sub>32</sub> )
B686GA-86-450	1	Silver Grey	450 (17 <sup>23</sup> / <sub>32</sub> )	88 (3 <sup>15</sup> / <sub>32</sub> )
B686GA-86-500	1	Silver Grey	500 (19 <sup>11</sup> / <sub>16</sub> )	88 (3 <sup>15</sup> / <sub>32</sub> )
B686GA-86-550	1	Silver Grey	550 (21 <sup>21</sup> / <sub>32</sub> )	88 (3 <sup>15</sup> / <sub>32</sub> )

### Side Rail Option for Deep Drawers

Model	Case	Colour	Total Length mm (in)	Total Height mm (in)
B686R-204-400	25	Silver Grey	400 (15 <sup>3</sup> / <sub>4</sub> )	204 (8 <sup>1</sup> / <sub>32</sub> )
B686R-204-450	25	Silver Grey	450 (17 <sup>23</sup> / <sub>32</sub> )	204 (8 <sup>1</sup> / <sub>32</sub> )
B686R-204-500	25	Silver Grey	500 (19 <sup>11</sup> / <sub>16</sub> )	204 (8 <sup>1</sup> / <sub>32</sub> )
B686R-204-550	25	Silver Grey	550 (21 <sup>21</sup> / <sub>32</sub> )	204 (8 <sup>1</sup> / <sub>32</sub> )



**HEAD OFFICE**

1855 Hymus  
Montréal, QC  
H9P 1J8

T: 514.685.2707  
T: 800.363.4970  
F: 514.685.5920